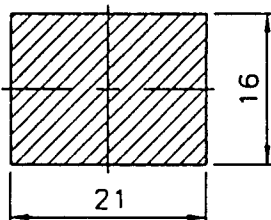
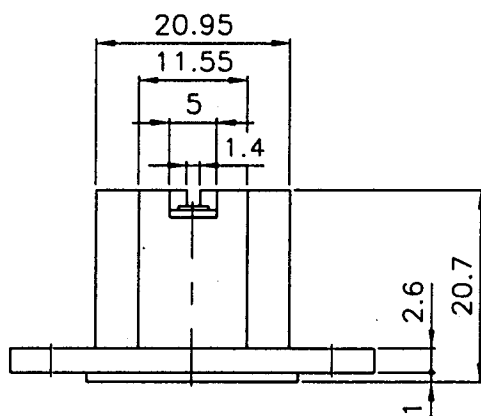
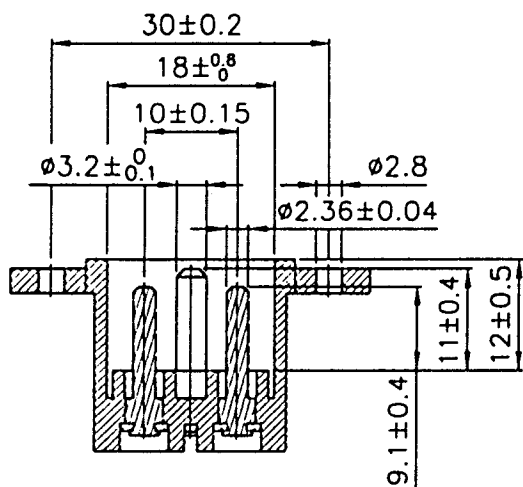
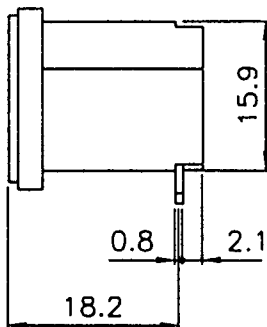
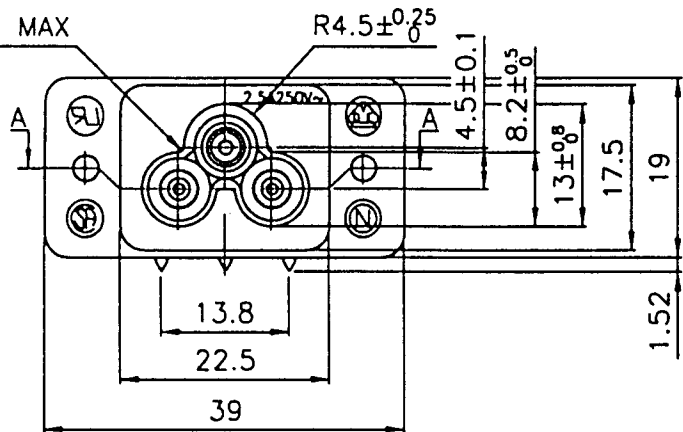


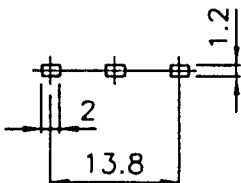
R=0.5 MAX

R4.5±0.25



PANEL CUTOUT

P.C.B. LAYOUT



Revision			
Rev.	Description	Date	Approved

- 5 Soldering PIN Bronze Strip t=0.8mm Tin-Plated
- 4 Soldering PIN Bronze Strip t=0.8mm Tin-Plated
- 3 Contact PIN Bronze Strip d=Ø2.36mm Ni-Plated
- 2 Contact PIN Bronze Strip d=Ø2.36mm Ni-Plated
- 1 Body Insulator NYLON Black Color

"THESE DRAWINGS ARE THE PROPERTY OF QUALTEK ELECTRONICS AND NOT TO BE REPRODUCED FOR OR COMMUNICATED TO A THIRD PARTY WITHOUT THE EXPRESS WRITTEN PERMISSION OF AN OFFICER OF QUALTEK ELECTRONICS."

2.5A/250V AC
 APPROVALS:
 UL CSA VDE NEMKO

Dim range (mm)	Tolerance +/- (mm)	Qualtek Electronics Corp. PPC DIVISION		
		Part Number: 771W-AX2/01		
0-1	0.15	Description: RECEPTACLES		
1-6	0.20			
6-18	0.30			
18-50	0.50			
50-120	0.70			
120-250	0.90	Drawn/Date	Checked/Date	Approved/Date
250-500	1.20	S.CHEN 11-21-99	11-21-99	JJH/11-21-99